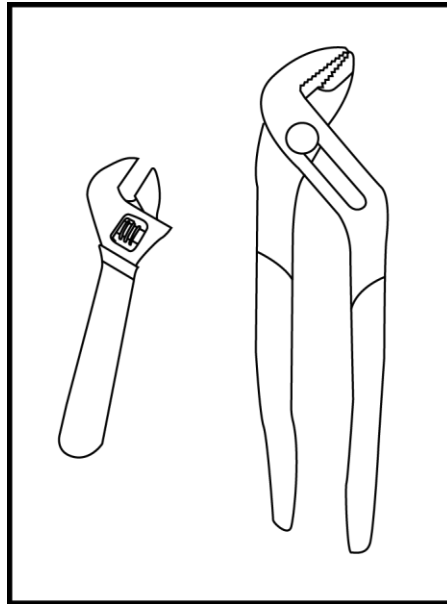


**How to assemble the  
XIOM T5/PRO-9  
Table**

**This is a two person job**

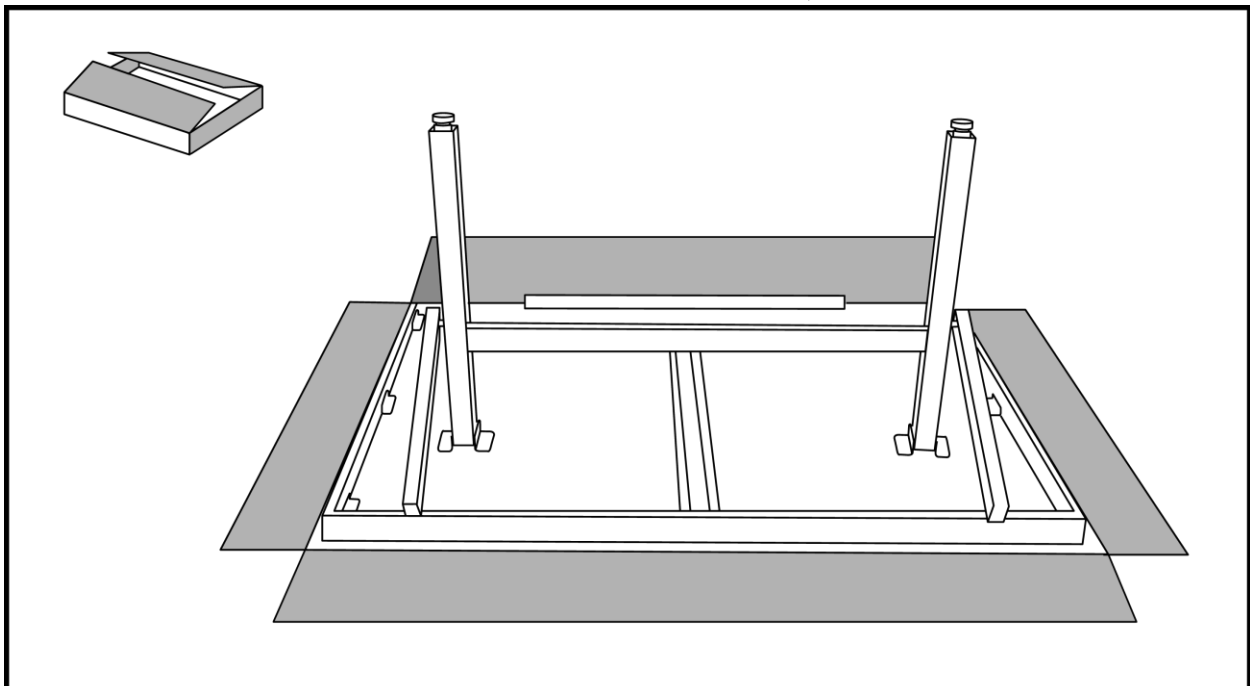
**Estimated time frame is 40  
minutes or less**

# **Tools needed:**

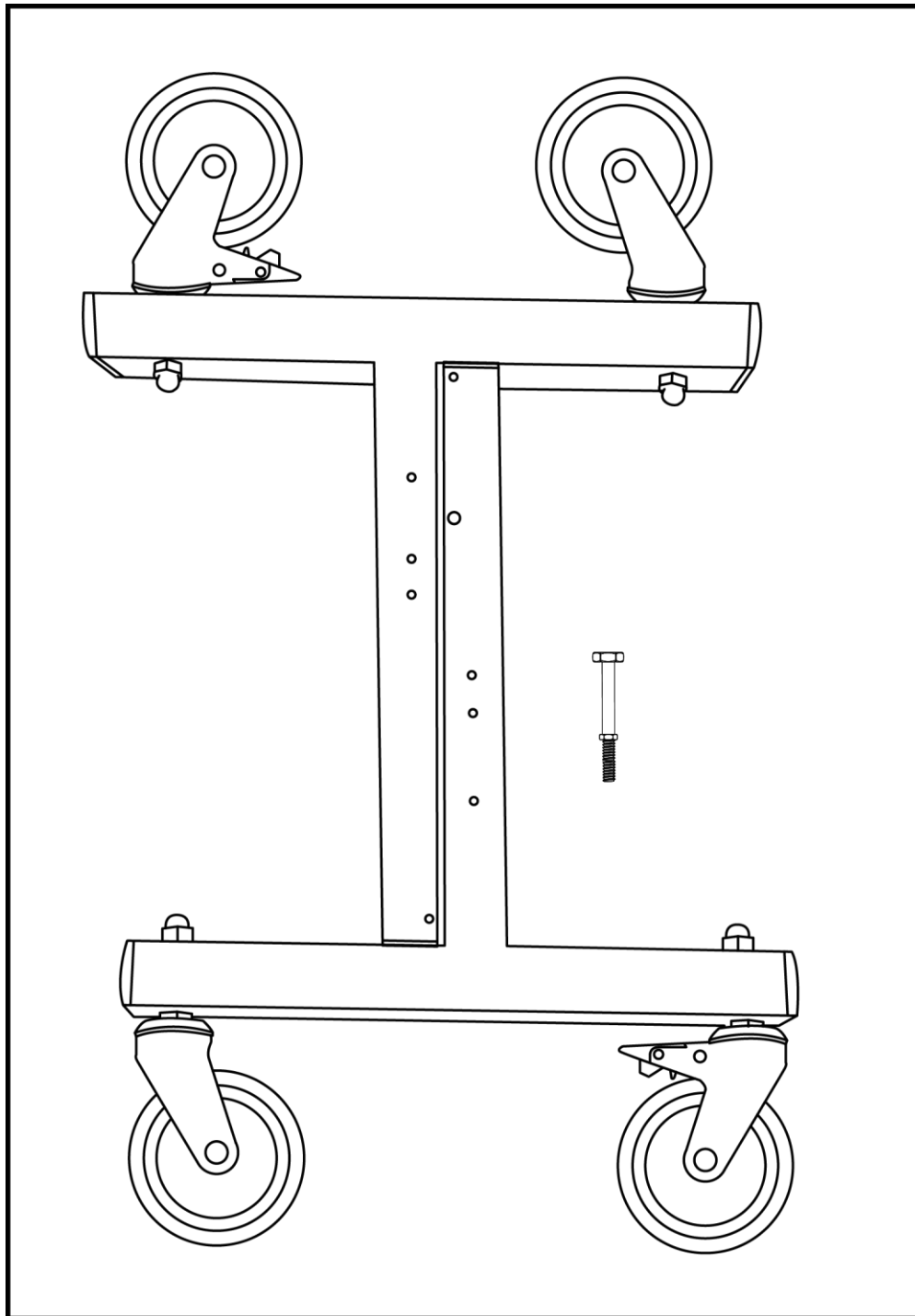


# **Inside the main box:**

**The table must be faced down in order to assemble the legs**

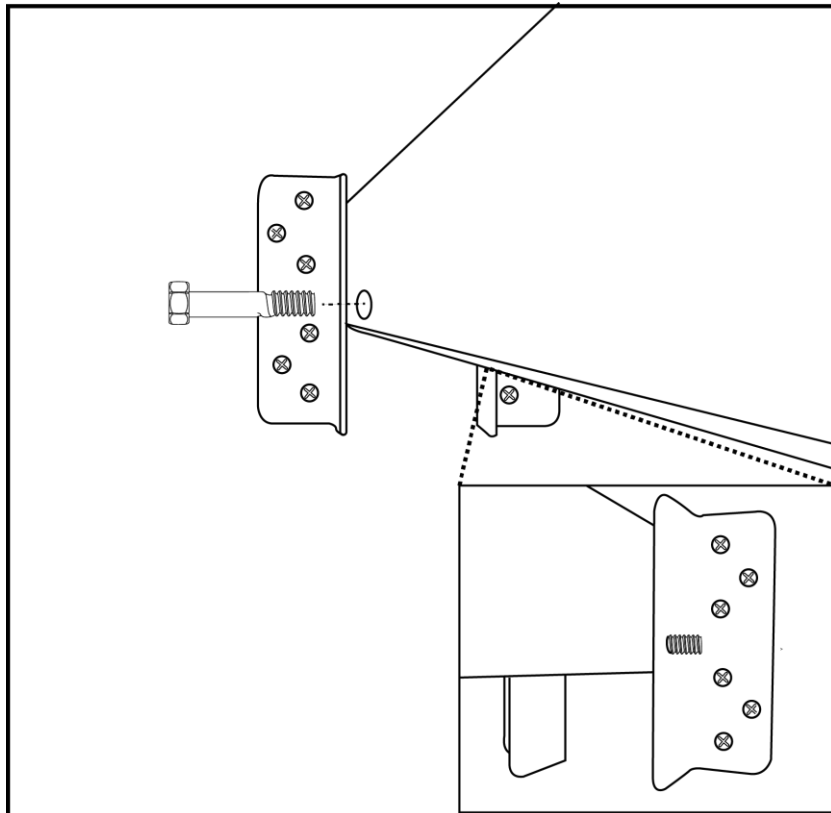
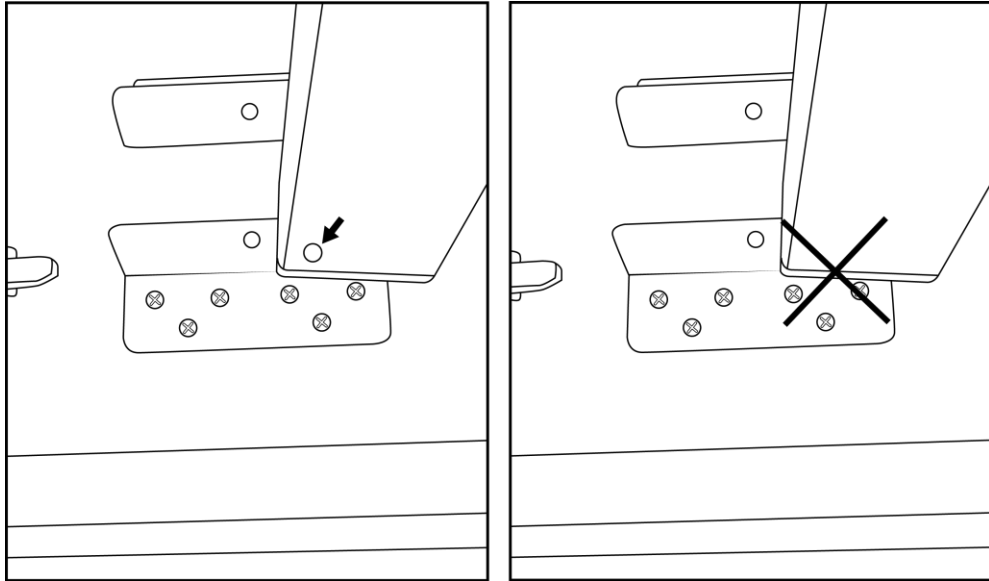


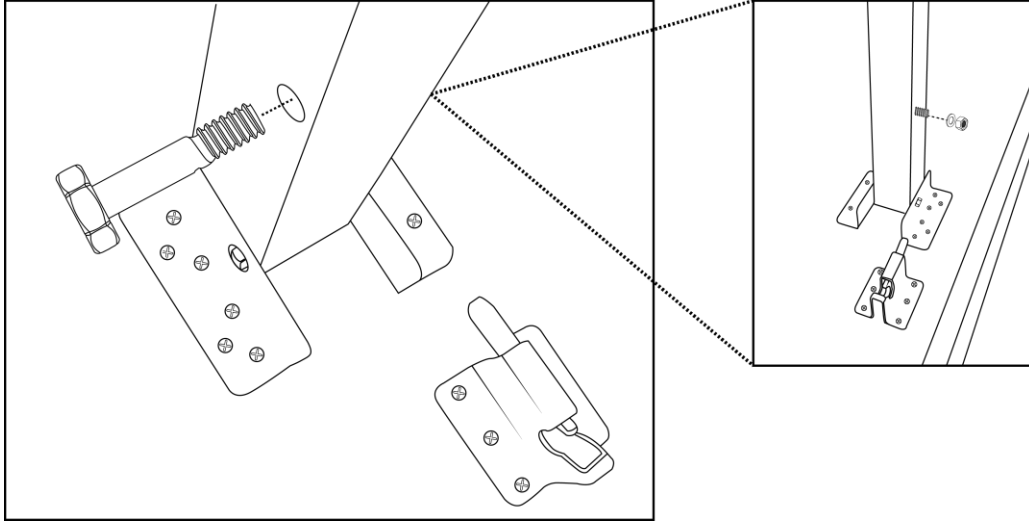
# Inside the small box:



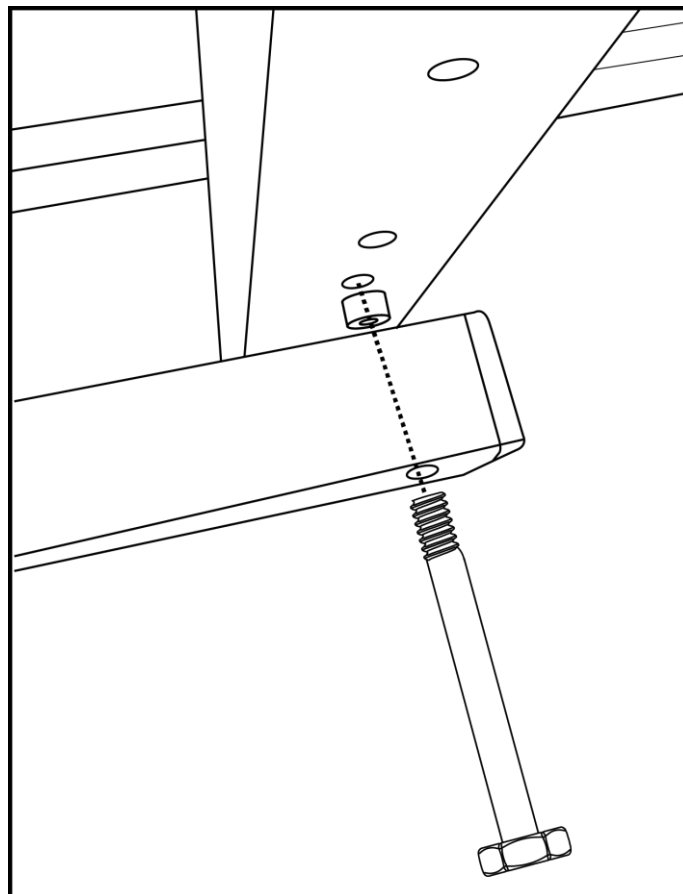
**One leg has an extra hole for the lock bolt**

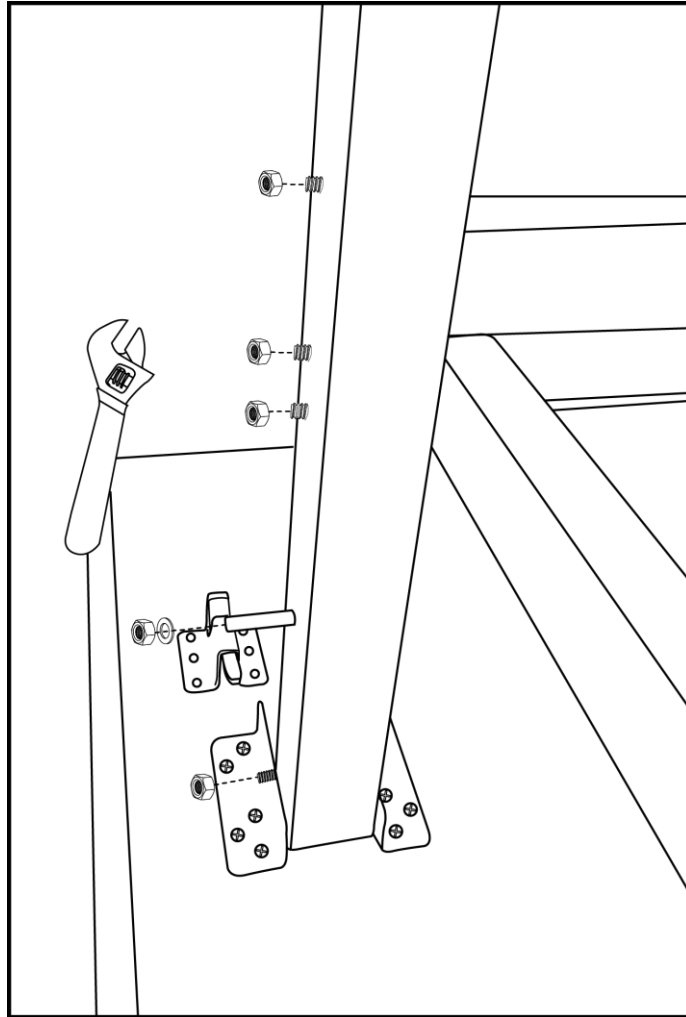
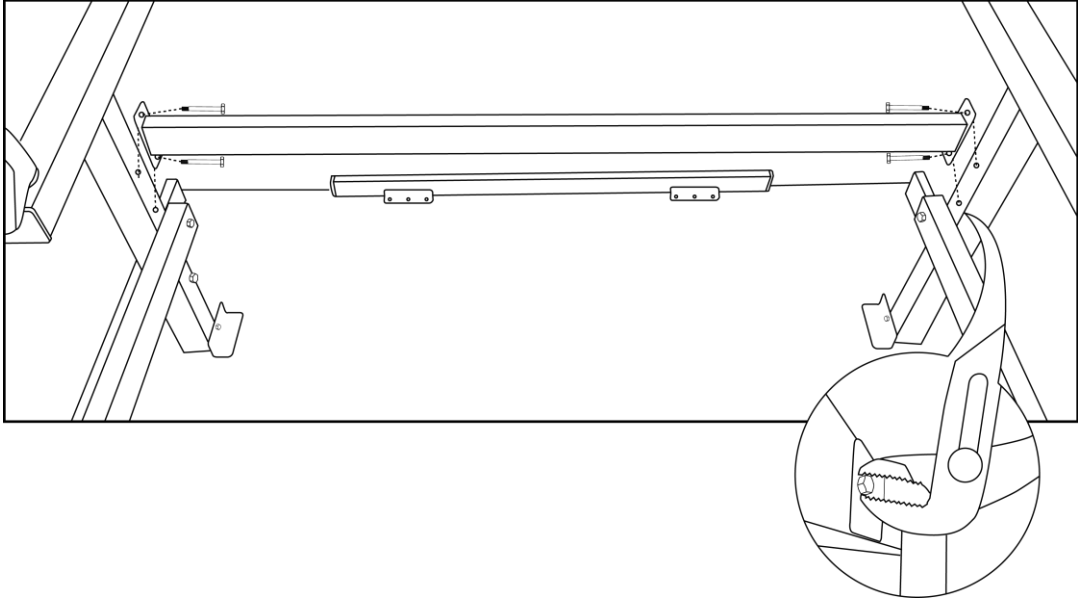
**Make sure the leg with the lock bolt is on the side with the yellow lock. Face hole toward the lock:**



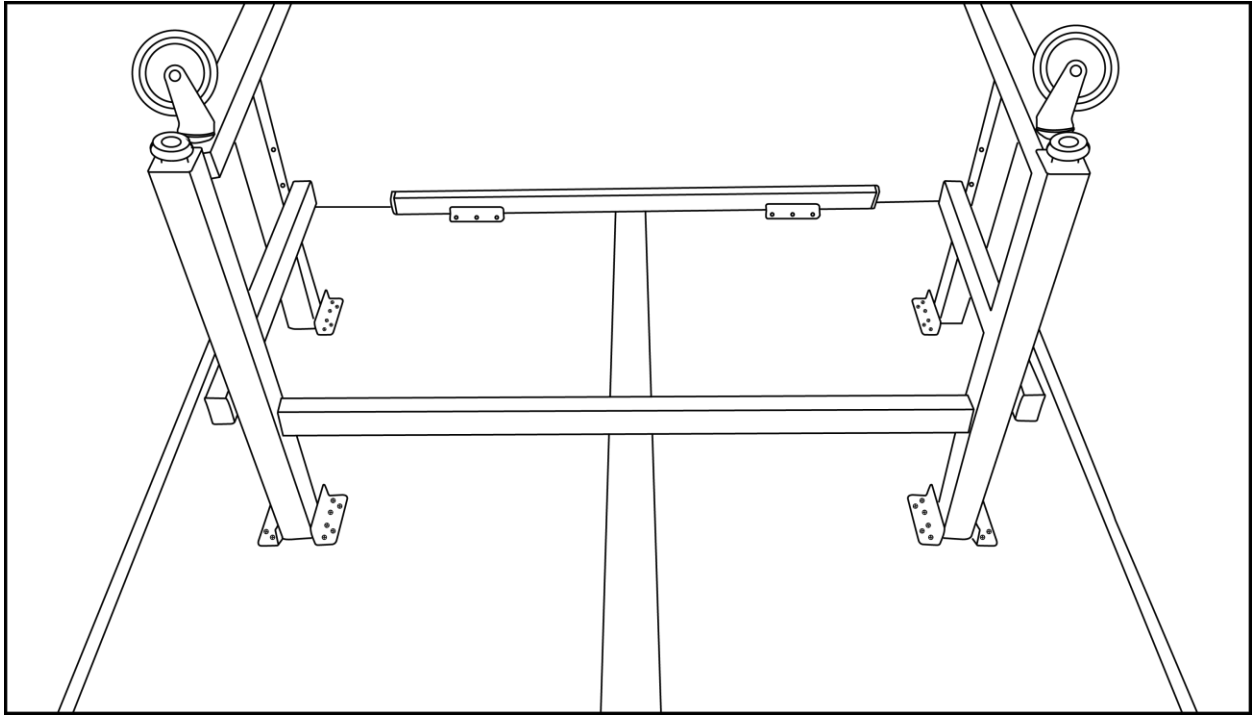


**When attaching the legs together, place the gray plastic piece between the two metal frames:**





**This is how it should look like when done. You will have to use a second person flip the table right-side up:**



**Fold the table up to  
make sure it locks.**

**For more help, please  
contact us at [cs@xiom.us](mailto:cs@xiom.us)**