

OWNER'S MANUAL

MODEL NOs.
T8107

WARRANTY

Actual product may differ slightly from that shown in illustrations.

READ ASSEMBLY & OPERATING INSTRUCTIONS AND ALL SAFETY INFORMATION CAREFULLY!

FOLD AND ROLL PLAYBACK TABLE TENNIS TABLE

**Questions, Concerns, Comments?
Need to Purchase Replacement Parts?
Need Product Assistance?**

Escalade Sports, a diversified manufacturer of fine sporting goods equipment, is here to help you in any way possible to make your experience with this product a pleasurable one for you and your family. We always try hard to make sure that our products are manufactured free from defects in material and workmanship to provide a lifetime of family fun. If you find any problems with your new product such as missing parts, damaged parts, or incorrectly manufactured parts,

Please Do Not Return This Product to the Store!

Please contact our consumer affairs department at:

Phone	1-866-873-3528	Toll – Free !
Fax	1-866-873-3533	Toll – Free !
E-mail	tabletennis@escaladesports.com	

Additionally, we highly recommend that you visit our web site for additional information or possible solutions for your concern which include:

On-Line Trouble Shooting * On-Line Parts Requests *** Technical Assistance *** Frequently Asked Questions *** Additional Escalade Product Information**

Please visit our Web site at:

www.escaladesports.com

Mailing Address: Escalade Sports
PO Box 889
Evansville, IN 47706

CAUTION

THIS IS A GAME TABLE. DO NOT SIT, STAND, LEAN, WALK OR JUMP ON TABLE! FAILURE TO COMPLY WITH THIS CAUTION COULD RESULT IN PERSONAL INJURY AND/OR PROPERTY DAMAGE!

This table must be kept indoors to prevent damage to the playing surface. Dampness and extreme temperature changes which occur on patios, garages or similar areas can cause wood to warp, swell, crack, or blister.

UNLEVEL FLOORS

If table does not seem level, it is probably because floor is not level. Move table several inches (set table in playing position) in different directions to find the best location for the table. If the floor is extremely unlevel, table may not play or operate properly. If table is high in the center, shim up under the outer legs.

Manufactured under one or more of the following patents:

6,345,820 6,196,953 6,179,733 6,120,397 6,117,051 5,921,227 5,919,102 5,901,692 5,899,824 5,816,957 5,769,744 5,749,351 5,718,212 5,672,144 5,498,004 5,392,757
5,318,489 5,271,625 5,213,554 5,169,360 5,158,512 5,119,741 5,071,120 5,067,728 4,911,085 4,798,381 4,717,157 4,596,228 4,546,754 4,519,374 4,515,142 4,424,968
D442,654 D425,943 D425,572 D420,563 D330,234 D330,057

CARE AND MAINTENANCE

You have purchased a quality product that will give you years of enjoyment. By following these simple maintenance steps you will add to the life of your new table. The top (playing surface) of your table is of a particle board construction. Like all products made of wood, it can be affected by atmospheric conditions, meaning both temperature and humidity. This may cause a slight sag or distortion as top expands or contracts. This is normal and should not cause concern as it does not detract from the play or utility value of the table. To help minimize this problem, **store table in folded up position in a dry area when not in use.**

STORAGE OF YOUR TABLE

This table must be stored indoors to prevent damage to the playing surface. Dampness and extreme temperature changes which occur on patios, garages or similar areas can cause the wood to warp, swell, crack, or blister. When your table is not in use, it should be folded up in a dry area.

CLEANING YOUR TABLE

To clean your table use a soft damp **NOT WET** cloth only. To prevent damage to your table's playing surface **DO NOT** use any chemicals, abrasive, or cleaning products on your table's playing surface.

IMPORTANT: Periodically, lubricate all moving parts, including pivot points, to assure smooth opening and closing. A light lubricant such as WD-40 is recommended.

LIMITED WARRANTY

Manufacturer warrants to the original retail purchaser, this product to be free from defects in material and workmanship for a period of ninety (90) days from the date of purchase.

Should this product become defective due to material or workmanship within the warranty period, contact our Customer Service Department for repair or replacement at our option.

This warranty is not transferable and does not cover normal wear and tear, bowing of the table or damage caused by improper handling, installation or use of this product. This warranty is also void if product is in any way abused, damaged, or modified from its original state, or if used for other than residential use.

This warranty gives you specific legal rights, and you may have other rights which vary from state to state.

ESCALADE®
S P O R T S

⚠ WARNING:

READ AND FOLLOW ALL ASSEMBLY, OPERATING, AND SAFETY INSTRUCTIONS CAREFULLY. AT LEAST TWO (2) ADULTS ARE NEEDED TO PUT THIS TABLE TOGETHER!

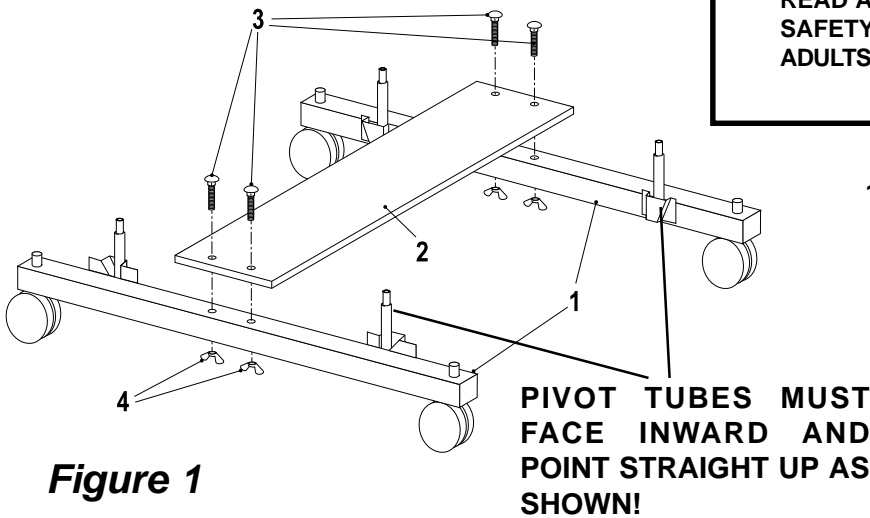
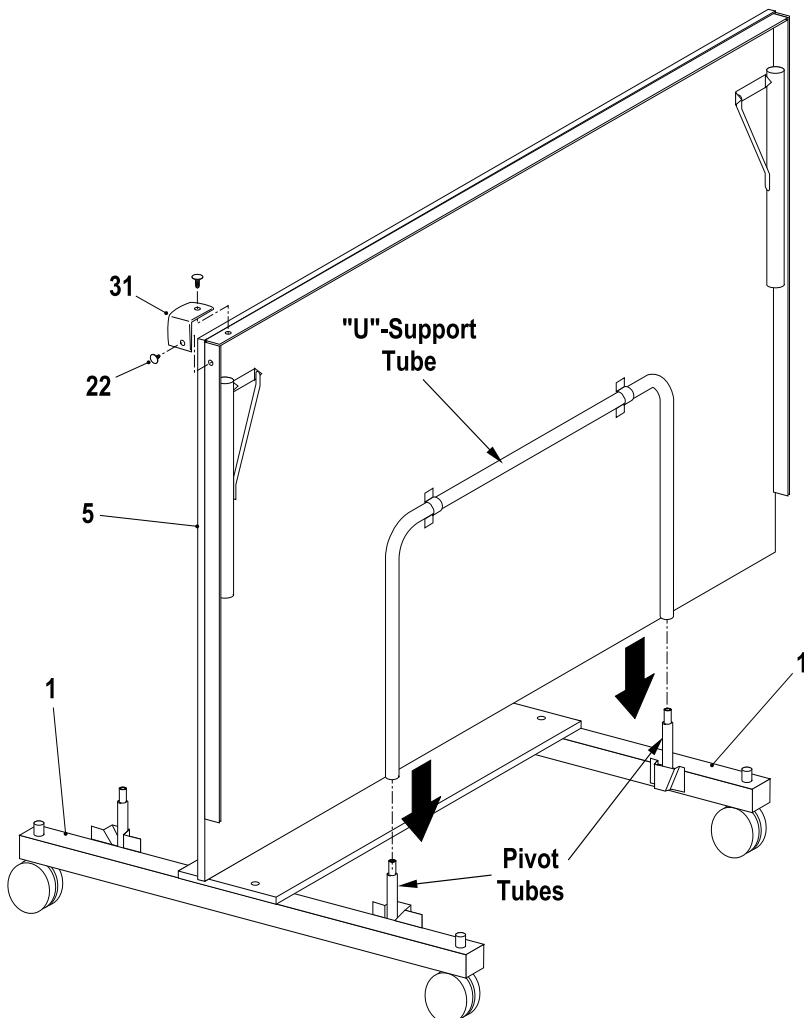


Figure 1

1. Attach wood bottom board (#2) to caster rails (#1) as shown in Figure 1. Turn caster rail as shown with pivot tubes toward inside, and attach board (#2) with four carriage bolts (#3) and four wing nuts (#4). Tighten wing nuts securely.

Figure 2



⚠ WARNING:

AT LEAST TWO (2) ADULTS ARE NEEDED TO COMPLETE THE REST OF THIS ASSEMBLY! WHEN ASSEMBLING TOPS TO BASE, HANDLE TOP ASSEMBLIES BY GRASPING ONLY THE TOPS THEMSELVES. DO NOT GRASP METAL LEGS, U-SUPPORT, LINKAGE, OR HINGES. THESE PARTS CAN MOVE AND COULD PINCH FINGERS OR HANDS CAUSING SERIOUS INJURY! ASSEMBLE AS SHOWN WITH LEGS FULLY CLOSED AND TOPS IN A VERTICAL POSITION. DO NOT OPEN LEGS AND TRY TO ASSEMBLE. TABLE TOPS ARE HEAVY - DO NOT ATTEMPT TO ASSEMBLE ALONE!

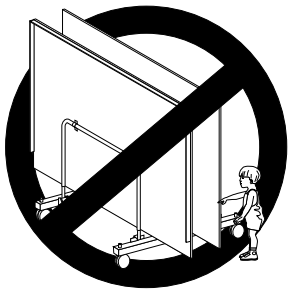
2. Attach table top (#5) to table base that you just assembled, as shown in Figure 2. With at least one adult on each side of table top (#5), lift top and align ends of "U"-support tube with top of pivot tubes on caster rails (#1). Slide tubes together.
3. With two adults, put other table top onto other pivot tubes following instructions in step 2.

⚠ WARNING:

DO NOT OPEN THE TABLE TO PLAYING POSITION UNTIL BOTH TOPS ARE INSTALLED! DO NOT LEAVE TABLE STANDING UNATTENDED. IT COULD BE KNOCKED OVER CAUSING SERIOUS BODILY INJURY OR PROPERTY DAMAGE.

4. Attach corner protectors (#31) to rails using tree plugs (#22). Simply push the plugs through the protector and into the rail until snug.

OPENING AND CLOSING INSTRUCTIONS

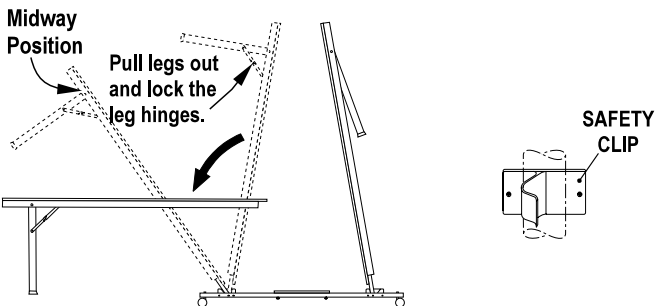


! CAUTION:

EXERCISE CAUTION IN OPENING/CLOSING TABLE. SMALL CHILDREN, OR CHILDREN NOT PROPERLY INSTRUCTED IN ITS USE, MUST NOT BE ALLOWED TO OPEN/CLOSE TABLE. IMPROPER HANDLING AND MISUSE CAN RESULT IN SERIOUS INJURY OR DAMAGE. DO NOT CLIMB, STAND, OR JUMP ON TABLE. MOISTURE AND CONDENSATION WILL DAMAGE PLAYING SURFACE OF THIS TABLE. STORE IN DRY, INDOOR PLACE.

TO OPEN:

1. Open legs on one table half and lock both leg hinges.
2. Hold center of top edge. Gently pull outward to midway position. Continue to pull until disengaged from safety clips and legs rest on the floor. Do not leave table partially opened at midway position. See Figure 3.
3. Open legs of second table half and lock both hinges as



PLAYBACK POSITION

Figure 3

with the first half.

4. Lower second top as described in step 2.
5. Lock all four center hinges. See Figure 4.

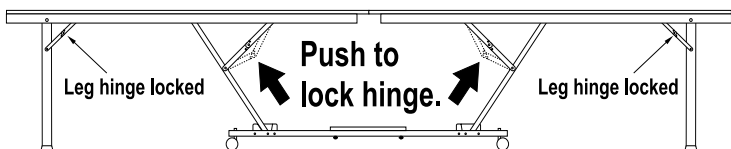


Figure 4

TO CLOSE:

Caution: To prevent damage to the net system and/or table top, the post assembly must be pivoted toward side of table before lifting table tops to storage position.

1. Unlock all four hinges.
2. Lift table half without net posts to midpoint until the safety clips are engaged. Then continue lifting until closed.
3. Unlock leg hinges on this half and fold legs against top.
4. Raise other table half in the same manner.

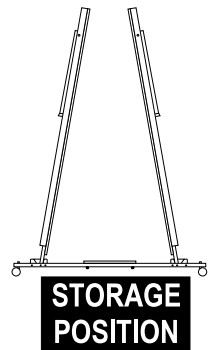


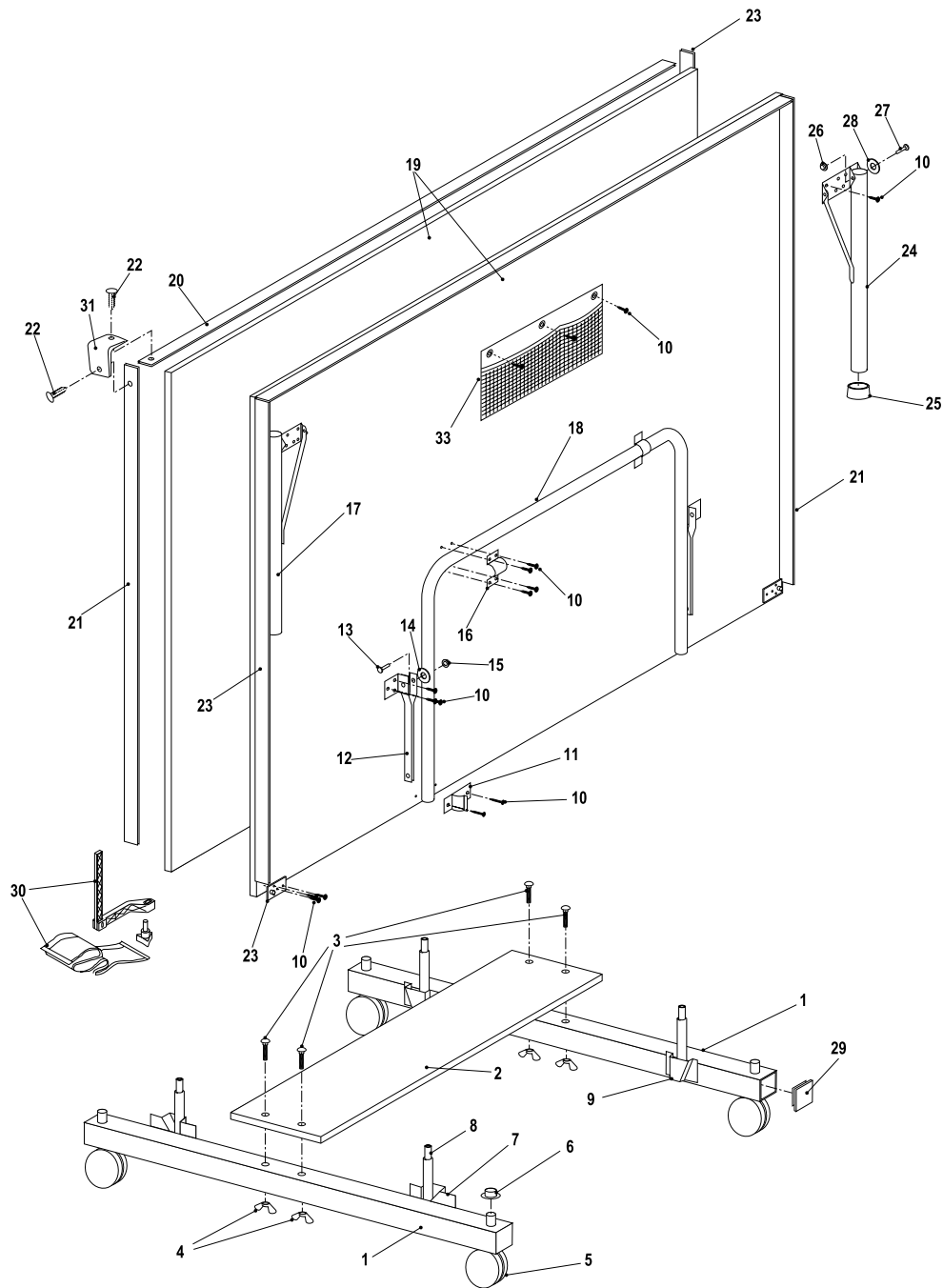
Figure 5

! WARNING!

DO NOT LIFT TABLE BY THE TABLE TOPS! TABLE IS NOT FASTENED TO BASE AND CAN COME LOOSE, CAUSING PERSONAL INJURY OR PROPERTY DAMAGE!

IF TRANSPORTATION OTHER THAN ROLLING IS NECESSARY, HAVE ONE ADULT ON EACH END OF ONE TABLE HALF LIFT IT UP, DISASSEMBLING IT FROM THE LOWER PART OF THE UNIT. THEN REMOVE OTHER TABLE HALF. MOVE UNIT IN THREE OR FOUR PIECES AND REASSEMBLE.





Replacement Parts List for Model Numbers T8107

2L-6718-00

Key#	Part#	Description	Qty.
1	4A-6343-11	Caster Rail Assembly	2
	8S-6421-11	Caster Rail only	2
2	2W-6215-02	Bottom Board	1
3	1B-6468-00	1/4-20 x 2-1/4" Carriage Bolt	4
4	2B-6082-00	1/4-20 Wing Nut	4
5	2Q-6093-00	2" Double Wheel Caster	4
6	2B-6085-00	5/16 Palnut	4
7	2S-6278-10	RH Pivot Bracket	2
8	8S-6418-11	Pivot Tube	4
9	2S-6279-10	LH Pivot Bracket	2
10	701-105	#8 x 9/16 SMS	135
11	3M-6273-00	Plastic Clip	4
12	4A-6336-00	Hinge / Bracket Assembly	4
13	3B-6013-00	1/4 x 13/8 Rivet	4
14	2B-6087-00	Nylon Washer	4
15	501-24	1/4" Palnut	4
16	710-54	U Clip	4

6

Key#	Part#	Description	Qty.
17	1A-6227-02	Leg Assembly - LH	2
18	8S-6420-02	U Support	2
19	4A-6603-00	Half Top	2
20	2S-6143-04	End Rail	2
21	2S-4601-00	Side Rail - RH	2
22	3M-6397-00	Tree Pulgs	8
23	2S-4602-00	Side Rail - LH	2
24	1A-6226-02	Leg Assembly - RH	2
25	504-13	Leg Cap	4
26	701-115B	Push Nut	4
27	701-198	3/16 Rivet	4
28	704-54	Spacer	4
29	3M-6085-00	1" Square Tube Plug	4
30	5A-6781-01	Net & Post Kit	1
31	3M-6393-00	Corner Protector	4
32	1A-6285-00	Nut Plate	2
33	3M-6495-00	Paddle/Ball Pouch	1