

# RS#PingPong Table

by Rafael Rodríguez



The folding version of the **RS#Ping-Pong table** remains discreetly tucked away until it's unfolded, revealing all its charm.

[info@rs-barcelona.com](mailto:info@rs-barcelona.com)  
[rs-barcelona.com](http://rs-barcelona.com)

Follow us





# RS# Ping-pong Table

by Rafael Rodríguez

rs-barcelona

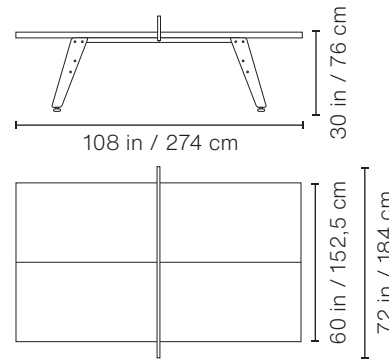
## Stationary



Indoor / Outdoor

## Technical Info

### Stationary



**Product weight**  
242.5 | lb 110 kg

**Packaging Dimensions:**  
68x70x21 in | 172,7x154,9x53,3 cm

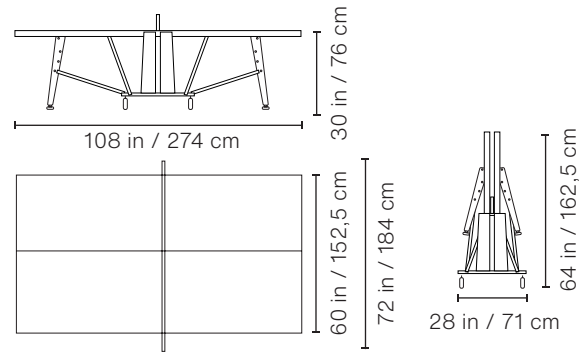
**Weight**  
276 lb | 125 kg

## Folding



Indoor / Outdoor

### Folding



**Product weight**  
264.5 lb | 120 kg

**Packaging Dimensions:**  
68x32x73 in | 172,7x81,3x5185,4 cm

**Weight**  
309 lb | 140 kg

## Materials

**Structure:** Steel with cataphoretic coating process and polyester paint.

**Top:** HPL






**Legs:** Iroko wood

**Net:** Coated polyester paint.

## RS#PingPong Table comes with:

-  **Balls**  
6 balls set
-  **Paddles**  
2 paddles set
-  **Net**  
Net + brackets

## RS#PingPong Accesories:

-  **Balls**  
6 units set.
-  **Paddles**  
2 units set.
-  **Wheels**  
4 units set.
-  **Protective Cover**
-  **Floor Anchoring System**

## Finishes

**Structure:**  RAL 9005  RAL 9010

**Legs:**  iroko



# rs#pingpongdetails





# rs#pingponginprojects



- Hotel Alexandra | Barcelona (Spain) -